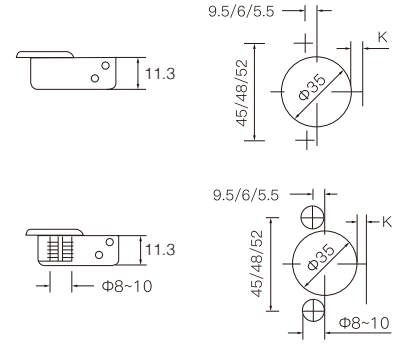


V Hinge system

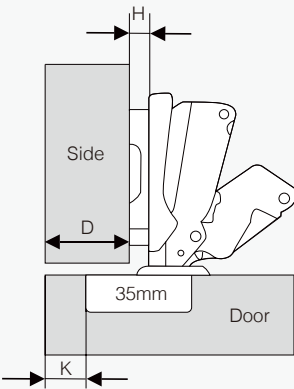
V96-165°; Clip-on; Cam adjustment; Soft-close



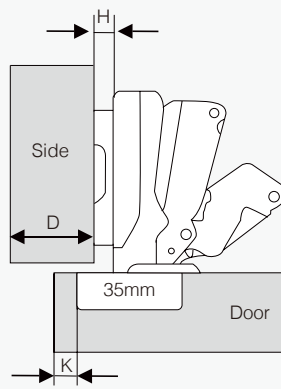
- Installation: Clip-on
- Opening degree: 165°
- Cup diameter: 35mm
- Cup depth: 11.3mm
- Cup distance: 45/48/52mm
- Door thickness: 16-24mm



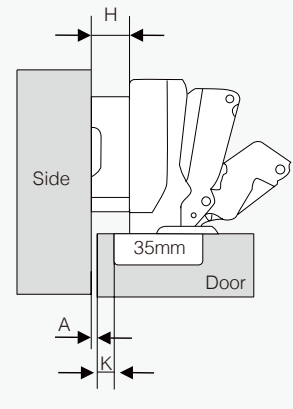
Overlay



Half overlay



Inset



		K-Cup distance				
		3	4	5	6	7
D-Door overlay	21.0					0
	20.0				0	
	19.0			0		2
	18.0		0		2	
	17.0	0		2		4
	16.0		2		4	
	15.0	2		4		
	14.0		4			
	13.0	4				
		H-Mounting plate height				

		K-Cup distance				
		3	4	5	6	7
D-Door overlay	12.0					0
	11.0				0	
	10.0			0		2
	9.0		0		2	
	8.0	0		2		4
	7.0		2		4	
	6.0	2		4		
	5.0		4			
	4.0	4				
		H-Mounting plate height				

		K-Cup distance				
		3	4	5	6	7
A-Door reveal	5.0	4				
	4.0		4			
	3.0	2		4		
	2.0		2		4	
	1.0			2		4
	0.0				2	
	-1.0					2
	-2.0					
	-3.0					
		H-Mounting plate height				

Cup assembly	Item No.
Screw on	V96A101S
Euro screw	V96A102S
φ8 press-in	V96A103S
φ10 press-in	V96A104S
φ8 expando	V96A105S
φ10 expando	V96A106S

Cup assembly	Item No.
Screw on	V96B101S
Euro screw	V96B102S
φ8 press-in	V96B103S
φ10 press-in	V96B104S
φ8 expando	V96B105S
φ10 expando	V96B106S

Cup assembly	Item No.
Screw on	V96C101S
Euro screw	V96C102S
φ8 press-in	V96C103S
φ10 press-in	V96C104S
φ8 expando	V96C105S
φ10 expando	V96C106S

* Standard cup distance is 45mm; if 48mm, please change code Vxxx1xxx to Vxxx2xxx; 52mm change to Vxxx3xxS

* Non soft-close change code VxxxxxxS to VxxxxxxN