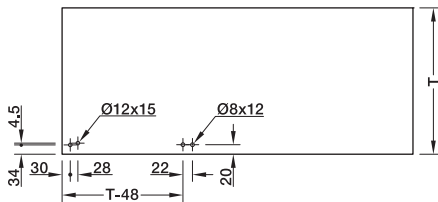


Table Fittings

Table top swivel fittings



- > Predestined solution for small rooms such as work rooms, surgical waiting rooms, meeting rooms, children's rooms or dining rooms
- > One piece of furniture – two functions: Sideboard and table
- > The entire storage space inside the cabinet can be used

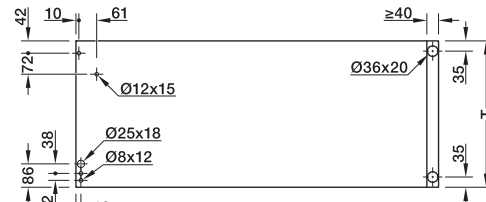


Cabinet

TD = door thickness ≤25 mm

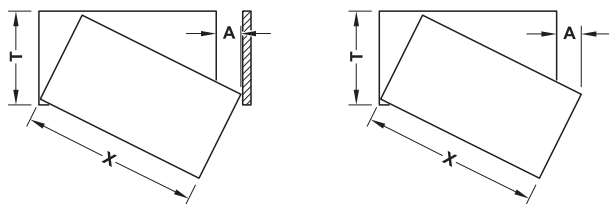
Cabinet with inset doors:

Depth T = cabinet depth



Swivel table

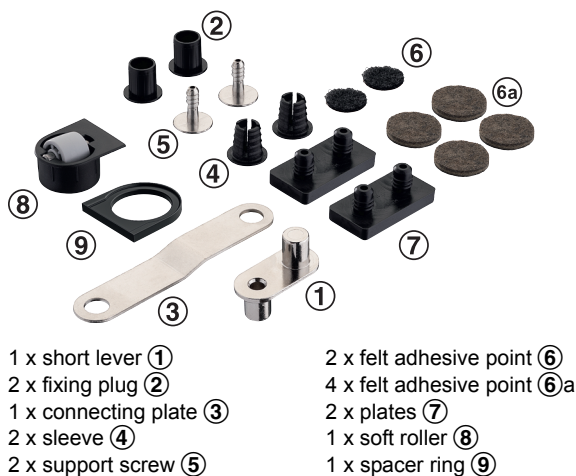
- > Width: ≤1,200 mm
- > Depth T: ≤600 mm
- > Panel thickness: Top panel: ≥25 mm, side panel: ≥28 mm



Space requirement A (mm) for table when swivelled out

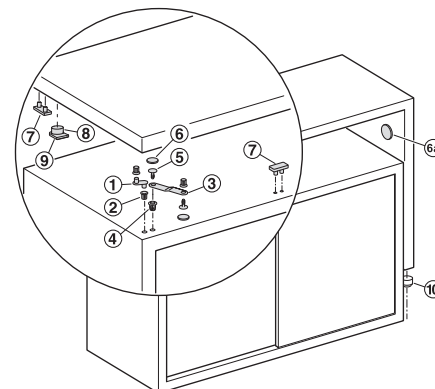
Depth T (mm)	Width X (mm)						
	600	700	800	900	1000	1100	1200
200	37	33	30	27	25	23	22
250	55	48	43	39	36	33	31
300	76	67	59	54	49	45	42
350	100	88	78	71	64	59	55
400	126	111	99	90	82	75	70
450	155	137	123	111	102	93	87
500	186	165	148	135	123	113	105
550	219	195	176	160	146	135	125
600	254	227	205	187	171	158	147
650	–	260	236	215	198	183	170
700	–	295	268	245	226	209	194

Supplied with



Order reference

Please order 2 castors ⑩ for floor separately.



	Cat. No.
Table top swivel fitting	646.31.004
Castors ⑩ for floor	
Hard running surface, Ø 25 mm	661.05.345
Soft running surface, Ø 25 mm	661.05.340
Hard running surface, Ø 36 mm	661.05.320
Soft running surface, Ø 36 mm	661.05.330

Packing: 1 set

DGH-M-INT 2020, HDE-en, 05/19, Dimensional data not binding. We reserve the right to alter specifications without notice.